



PICO 50+
LOCAL VENTILATION WITH HEAT RECOVERY

Product Overview



**MORE
SILENT THAN
WHISPERING**



**UP TO 92%
EFFICIENCY**



**ENERGY
EFFICIENT**

www.orcaenergy.eu

PICO 50+



Ventilation system with heat recovery PICO 50+, is suitable for renovated and newly constructed buildings. This simple and effective solution brings freshness into your home. Reduce the heating costs and say goodbye to mold.

CLEAN AND FRESH AIR

Ventilation system with heat recovery Pico 50+ delivers clean air and removes polluted air from our premises.

DIVERSE

Orca Pico 50+ is individual and useful in every phase of the projects, either when planning the ventilation equipment for new buildings, including post-fitting, as well as renovating old buildings.

HIGHLY EFFECTIVE

Efficiency of heat recovery with ventilation devices is very high, up to 92%.

EASY AND COMFORTABLE

Ventilation systems have a compact size and do not require separate connecting elements or air lines. They are ready for immediate use.



Supplies clean fresh air to the premises



Protects against outdoor noise



Removes stale air from the premises



Cleans the air of dust and insects



Prevents penetration of excessive humidity and mold appearance



Low energy demand

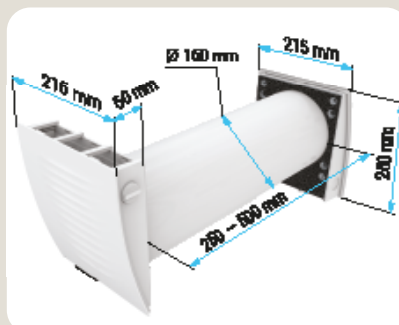


Reduces the heating costs in winter and air conditioning costs in summer



More silent than whispering

| Speed | PICO 50+ | | |
|----------------------------------|-----------------------|------------------------|------------------------|
| | 1 | 2 | 3 |
| Power supply (voltage/frequency) | 230 V/50 Hz | | |
| Consumption | 1 W | 2.1 W | 4.3 W |
| Maximum current | 0.024 A | 0.026 A | 0.039 A |
| Maximum air flow | 15 m³/h | 30 m³/h | 50 m³/h |
| Fan speed | 519 min ⁻¹ | 1555 min ⁻¹ | 2330 min ⁻¹ |
| Sound pressure level at 3m | 19 dB(A) | 22 dB(A) | 29 dB(A) |
| Sound pressure level at 1m | 28 dB(A) | 33 dB(A) | 39 dB(A) |
| Efficiency | ≤92% | | |
| Heat exchanger material | ceramics | | |
| Pipe diameter | 160 mm | | |
| Protection class | IP 24 | | |



ADDITIONAL FILTER FOR ALERGICS (OPTIONAL)

for healthier living without allergies

Additionally built in filter F8 reduces maximal air flow to 40 m³/h.



Product number: 12017

EXAMPLE OF THE VENTILATION SYSTEM

In operation with heat recovery the ventilation systems PICO changes operation from air supply to air exhaust and other way around. Therefore, the heat energy is exchanged in heat regenerator. The air flows between rooms through door grills and hallways, which creates a circulation of the air in entire home.



CERAMIC HEAT REGENERATOR

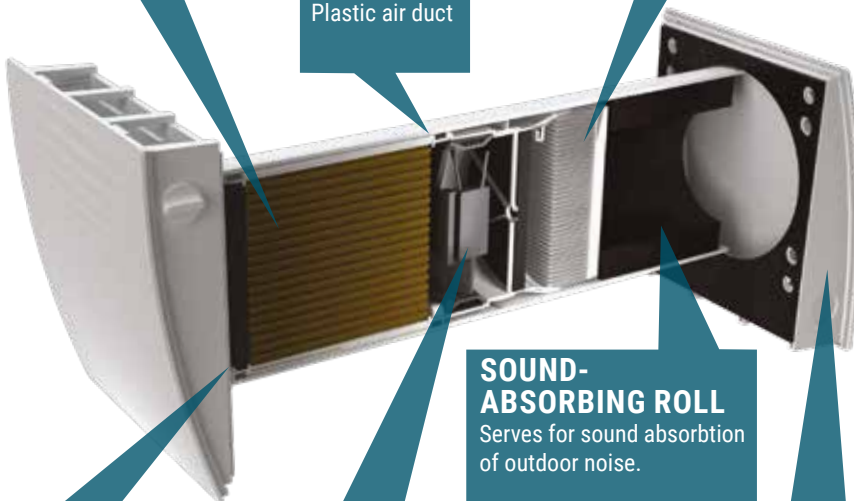
The high-technology ceramic heat regenerator is used for extract air heat regeneration and supply air heating. z učinkovitostjo rekuperacije toplote vse do 92 %.

AIR FILTERS

Two built-in filters with filter class G3 are used to clean supply and extract air flows. The filters ensure fresh air without dust and insects and prevent the ventilator parts from soiling. The filters have antibacterial treatment.

AIR DUCT

Plastic air duct



SOUND-ABSORBING ROLL

Serves for sound absorption of outdoor noise.

EASY TO MAINTAIN

Recuperators Pico 50+ comes with internal grill, which has a front board that is easy to remove for accessing the recuperator and filters. You do not need any special tools to clean the interior.

REVERSIBLE DC FAN

Air is supplied or extracted by a reversible axial fan with a DC motor.

EXTERNAL GRILL

Prevents ingress of water and foreign objects into the ventilator. Isolation layer additionally lowers the noise from outside.

ANGULAR MOUNTING KIT (optional)

For house without external grills.



Product number: 11931

EXTERNAL GRILL OPTIONS

External plastic grill comes together with recuperator Orca Pico 50+.

You can order additional external grills:

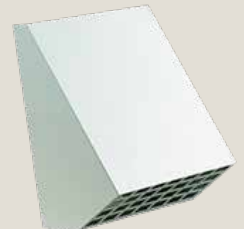
Stainless steel round external grill

Product number: 9798



White metal external grill

Product number: 9802

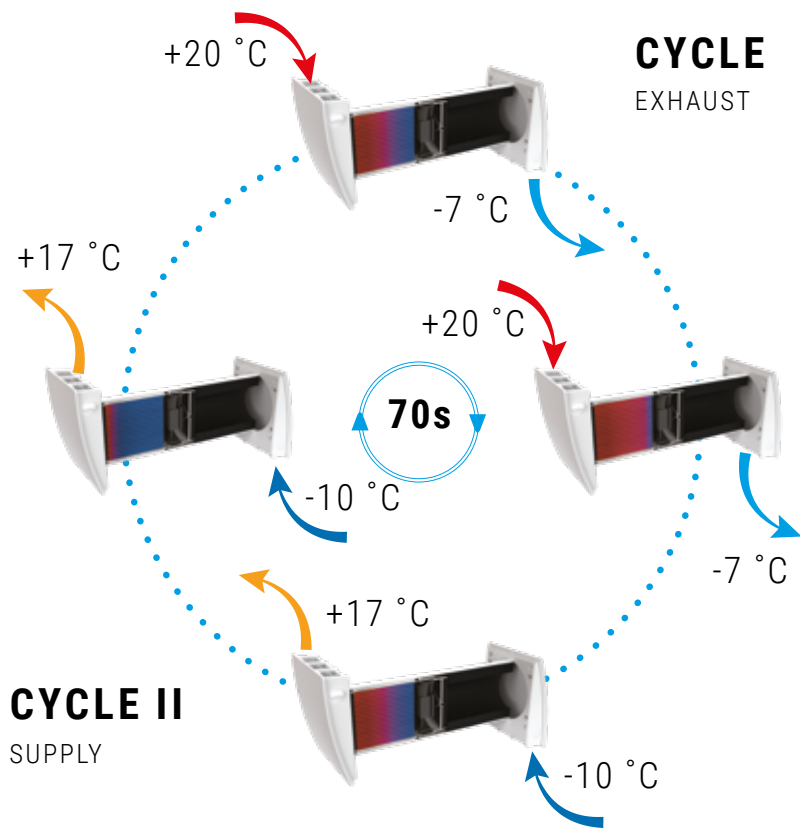


OPERATION

The ventilation system provide a simple, effective and energy efficient ventilation in apartments, houses, public and commercial buildings.

The ventilation system may operate in reverse mode with energy recovery or only in ventilation mode without energy recovery.

Switching between the air supply and air exhaustion is repeated every 70 seconds.



CONTROLLING

Model PICO50 is supplied with a remote control and wall-mounted control panel which enables easy and comfortable controlling of the device. When more ventilation devices are connected to the network, the signal from the remote control is only received by the first device. Other ventilation devices are then controlled through the first device.



ENERG
енергия · енеруєня

Y UA
IE IA

ORCA PICO 50+

A+

A

B

C

D

E

F

G

A

38
dBA

25 m³/h

ENERGIA · ЕНЕРГИЯ · ΕΝΕΡΓΕΙΑ · ENERGIJA · ENERGY · ENERGIE · ENERGI

2019 1254/2014

Your seller